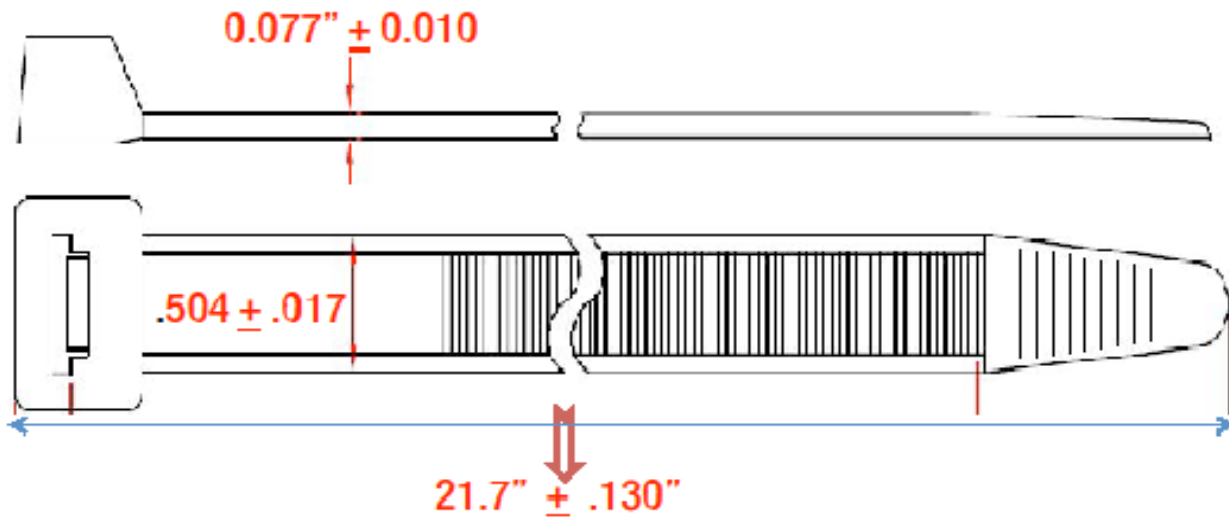




MIL-SPEC TACTICAL ZIP TIES



SPECIFICATIONS:

PART #:	MS22-250 (COLOR) BLACK OR WHITE
TENSILE STRENGTH:	250 LBS
DESCRIPTION:	21.7" TACTICAL ZIP TIE (NYLON 6/6)
TOLERANCE	AS SHOWN